

EXEMPLAR / PROUDLY HANDCRAFTED IN NORTH AMERICA



EXEMPLAR PROFESSIONAL GRADE

R320, R420,
R520, R720,
R820

SINGLE SIDED
POWER VENTED

QUICK DIMENSIONS

	R320		R420		R520		R720		R820	
	UNIT	FRAM.	UNIT	FRAM.	UNIT	FRAM.	UNIT	FRAM.	UNIT	FRAM.
F.WIDTH	41 ¹ / ₁₆	55	53 ³ / ₁₆	67	65 ⁹ / ₁₆	77	89 ⁹ / ₁₆	101	101 ¹ / ₁₆	113
B.WIDTH	48 ¹ / ₁₆	55	60 ¹ / ₁₆	67	72 ¹ / ₁₆	77	96 ¹ / ₁₆	101	108 ¹ / ₁₆	113
HEIGHT	38 ¹ / ₁₆	47	38 ¹ / ₁₆	47	39 ¹ / ₁₆	45	40 ¹ / ₁₆	46	40 ¹ / ₁₆	46
DEPTH	21 ¹ / ₈	23 ³ / ₄ [†]	21 ¹ / ₈	23 ³ / ₄ [†]	21 ¹ / ₈	23 ³ / ₄ [†]	21 ¹ / ₈	23 ³ / ₄ [†]	21 ¹ / ₈	23 ³ / ₄ [†]
VIEWING	37 ¹ / ₄ × 16 ¹ / ₈		49 ¹ / ₄ × 16 ¹ / ₈		61 ¹ / ₄ × 18 ¹ / ₈		85 ¹ / ₄ × 18 ¹ / ₈		97 ¹ / ₄ × 18 ¹ / ₈	

[†]Dimension is for rear venting

EXEMPLAR CONTEMPORARY

Standard

- Contemporary burner with Ice fireglass
- Micro mesh screen
- Power vent control box

Options

- Speckled stones, driftwood, glass media
- Remote control on/off

EXEMPLAR POWER VENTS

Wall Mount

- PVHEX58-300
- PVHEX510-300
- PVHEXD-300

Flush Wall Mount

- PVHFL58-300
- PVHFL510-300
- PVHIN58-300-FS^Δ

Roof Mount

- PVEX58-300
- PVEX510-300

^ΔPower Vent is for R320 and R420 only

BTU LISTING

R320N / 50,000
R320L / 40,000

R420N / 65,000
R420L / 55,000

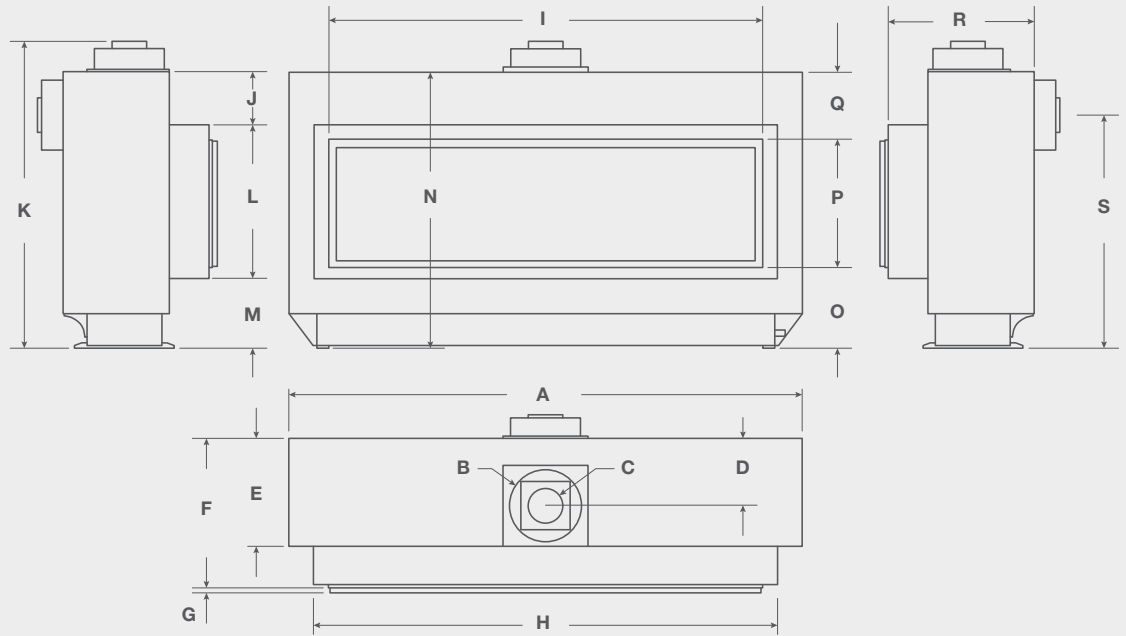
R520N / 80,000
R520L / 65,000

R720N / 100,000
R720L / 80,000

R820N / 100,000
R820L / 80,000



EXEMPLAR DIMENSIONS



	A	B	C	D	E	F	G	H	I	J	K	L	M	N	O	P	Q	R	S
R320	48 $\frac{3}{8}$ "	8	5	9 $\frac{1}{2}$ "	15 $\frac{1}{4}$ "	21 $\frac{1}{8}$ "	7 $\frac{7}{8}$ "	41 $\frac{1}{2}$ "	37 $\frac{1}{4}$ "	7 $\frac{1}{4}$ "	42 $\frac{1}{4}$ "	19 $\frac{3}{4}$ "	10 $\frac{7}{8}$ "	38 $\frac{1}{16}$ "	12 $\frac{3}{8}$ "	16 $\frac{1}{8}$ "	9 $\frac{1}{2}$ "	21 $\frac{1}{8}$ "	32
R420	60 $\frac{5}{8}$ "	8	5	9 $\frac{1}{2}$ "	15 $\frac{1}{4}$ "	21 $\frac{1}{8}$ "	7 $\frac{7}{8}$ "	53 $\frac{1}{2}$ "	49 $\frac{1}{4}$ "	7 $\frac{1}{2}$ "	42 $\frac{1}{4}$ "	19 $\frac{3}{4}$ "	10 $\frac{7}{8}$ "	38 $\frac{1}{16}$ "	12 $\frac{3}{8}$ "	16 $\frac{1}{8}$ "	9 $\frac{1}{2}$ "	21 $\frac{1}{8}$ "	32
R520	72 $\frac{5}{8}$ "	10	5	9 $\frac{1}{2}$ "	15 $\frac{1}{4}$ "	21 $\frac{1}{8}$ "	7 $\frac{7}{8}$ "	65 $\frac{1}{2}$ "	61 $\frac{1}{4}$ "	7 $\frac{1}{2}$ "	43 $\frac{3}{4}$ "	21 $\frac{3}{4}$ "	9 $\frac{7}{8}$ "	39 $\frac{1}{16}$ "	11 $\frac{3}{8}$ "	18 $\frac{3}{8}$ "	9 $\frac{1}{2}$ "	20 $\frac{1}{16}$ "	33
R720	96 $\frac{5}{8}$ "	10	5	9 $\frac{1}{2}$ "	15 $\frac{1}{4}$ "	21 $\frac{1}{8}$ "	7 $\frac{7}{8}$ "	89 $\frac{1}{2}$ "	85 $\frac{1}{4}$ "	7 $\frac{1}{2}$ "	43 $\frac{3}{4}$ "	21 $\frac{3}{4}$ "	10 $\frac{7}{8}$ "	40 $\frac{1}{16}$ "	12 $\frac{3}{8}$ "	18 $\frac{3}{8}$ "	9 $\frac{1}{2}$ "	20 $\frac{1}{16}$ "	34
R820	108 $\frac{5}{8}$ "	10	5	9 $\frac{1}{2}$ "	15 $\frac{1}{4}$ "	21 $\frac{1}{8}$ "	7 $\frac{7}{8}$ "	101 $\frac{1}{2}$ "	97 $\frac{1}{4}$ "	7 $\frac{1}{2}$ "	43 $\frac{3}{4}$ "	21 $\frac{3}{4}$ "	10 $\frac{7}{8}$ "	40 $\frac{1}{16}$ "	12 $\frac{3}{8}$ "	18 $\frac{3}{8}$ "	9 $\frac{1}{2}$ "	20 $\frac{1}{16}$ "	34

MONTIGO / EXEMPLAR / R420 / SAGE FIREBEADS



OPTIONS & FEATURES



REMOTE ON/OFF
RXM40VAC

Unit Specifications

ICON LEGEND

AVAILABLE	+	NOT AVAILABLE	-
DEDICATED	◊	STANDARD	◦

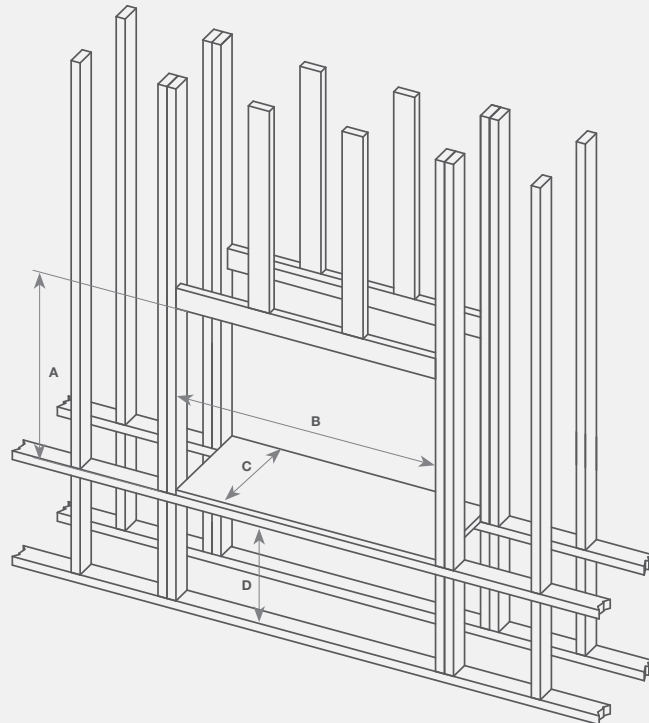
	BTU NATURAL GAS	BTU LIQUID PROPANE	VENTING	CLEARANCE TOP - REAR VENT	CLEARANCE TOP - TOP VENT	CLEARANCE SIDES	CLEARANCE BACK	CLEARANCE FLOOR	FRONT VIEWING AREA	STANDARD MEDIA	FRONT GLASS TYPE	MICRO MESH SCREEN	POWERVENT	REMOTE CONTROL	FANS	UPLIGHTING	DOWNLIGHTING
R320	50,000	40,000	5"8"	24	24	6	2	0	37¼ × 16½	HW1157	HIGH TEMPERATURE	◦	◊	-	-	-	-
R420	65,000	55,000	5"8"	24	24	6	2	0	49¼ × 16½	HW1157	HIGH TEMPERATURE	◦	◊	-	-	-	-
R520	80,000	65,000	5"10"	24	24	6	2	0	61¼ × 18½	HW1157	HIGH TEMPERATURE	◦	◊	-	-	-	-
R620ST	100,000	100,000	5"10"	26	26	3	2	0	85¼ × 18½	HW1157	HIGH TEMPERATURE	◦	◊	-	-	-	-
RP620	75,000	70,000	5"8"	25¾	25¾	5½	4	0	73¼ × 18½	HW1157	HIGH TEMPERATURE	◦	◊	-	-	◦	-
R720	100,000	80,000	5"10"	24	24	6	2	0	85¼ × 18½	HW1157	HIGH TEMPERATURE	◦	◊	-	-	-	-
R820	100,000	80,000	5"10"	24	24	6	2	0	97¼ × 18½	HW1157	HIGH TEMPERATURE	◦	◊	-	-	-	-
R324	50,000	50,000	N/A	3	3	½	N/A	0	35¼ × 26¾	HW1157	HIGH TEMPERATURE	◦	◦	-	-	-	-
RP424	45,000	45,000	5"8"	0	0	0	0	0	35¼ × 26¾	N/A	HIGH TEMPERATURE	-	◊	-	-	◦	-

EXEMPLAR FRAMING

	A	B	C	D
R320	47	55	23¾ [†]	0
R420	47	67	23¾ [†]	0
R520	45	77	23¾ [†]	0
RP620	54	96	26 [†]	0
R720	46	101	23¾ [†]	0
R820	46	113	23¾ [†]	0

EXEMPLAR ST FRAMING

	A	B	C	D
R320ST	47	56 ¹³ / ₁₆	23¾	0
R324	48	49	N/A	10
R420ST	47	68 ¹³ / ₁₆	23¾	0
R520ST	47	80 ¹³ / ₁₆	23¾	0
R620ST	47	92 ¹³ / ₁₆	23¾	0



See instruction manual for detailed instructions

Header on edge not required if framing meets clearance to venting

[†]Dimension is to back wall or back studs