

LT

LANDSCAPE GAS FIREPLACES



The LT1 + LT2 V-Class burners deliver our most outstanding radiant gas fires yet.

The logo for Valor, featuring a stylized red flame icon to the left of the word "valor" in a bold, lowercase, sans-serif font.

THE SCIENCE OF WARMTH™

We pioneered and continually work to perfect radiant heat technology to generate constant, comfortable warmth within your home.

RADIANT HEAT

We put radiant heat into every gas fire, the most comfortable warmth we know. You can feel it.

REALISTIC LOGS

High definition, low mass fiber ceramic logs heat up and glow quickly, radiating warmth.

HEATSHIFT™

Select the finish you want, knowing that your artwork, TV and construction materials stay cooler and protected.

SAFETY

Our fires are put through rigorous safety testing in our in-house CSA approved lab.

ON FRONT:
LT2 2700K
BIRCH 1705BLKV2
PLAIN BLACK LINER 2760PBL
CLEAN INSTALL KIT 2730CIK
HEATSHIFT LDK1 + LDK2

Proudly made
in North America



CONVECTIVE HEAT

Convective heat is the secondary heat our gas fireplaces produce, redistributed thanks to HeatShift.

ENHANCED FLAME

Our V-Class burners create realistic, soothing flames and ambient glowing embers that radiate heat better than ever.

EFFICIENCY

Radiant heat and zone heating technology are up to 30% more efficient than central forced air systems.

ADJUSTABLE HEAT

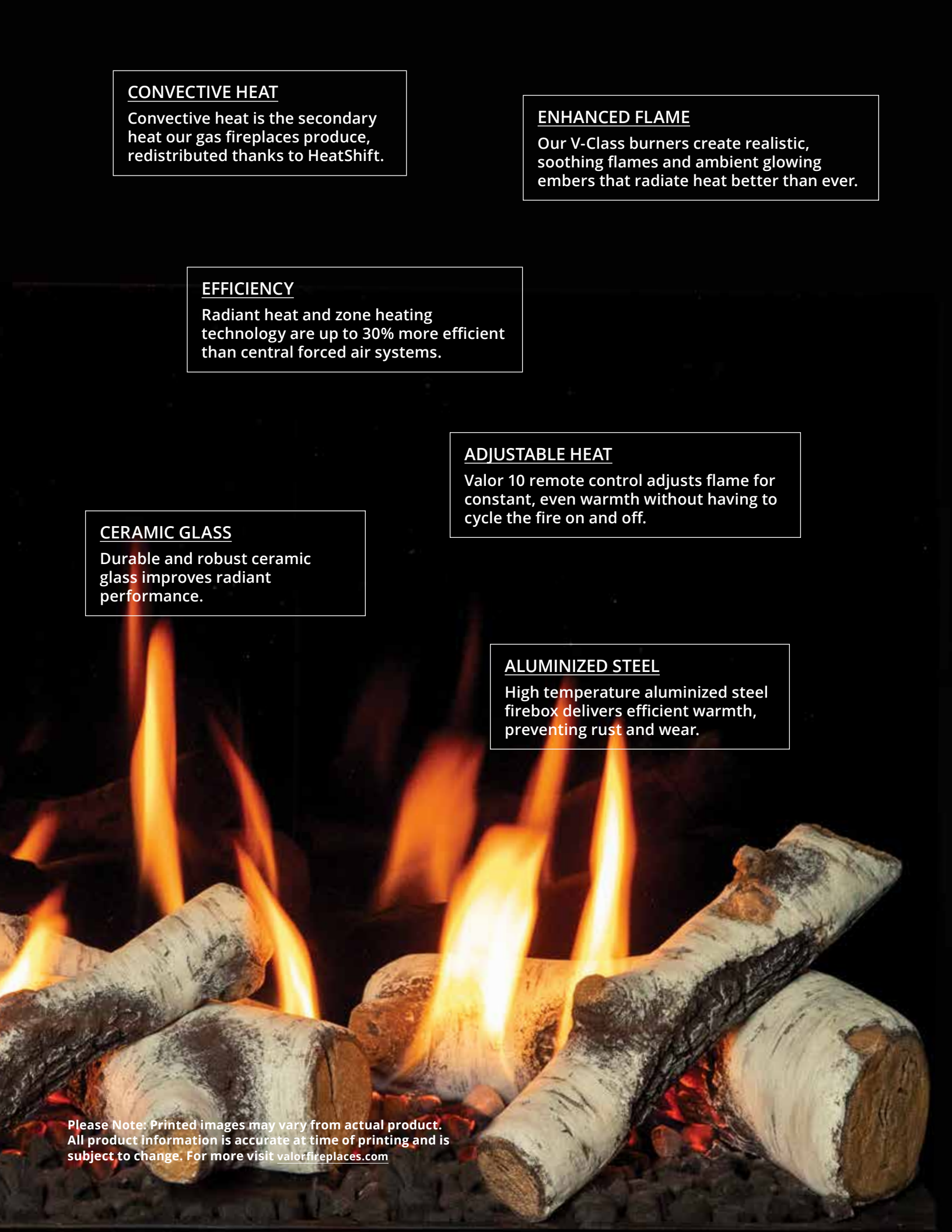
Valor 10 remote control adjusts flame for constant, even warmth without having to cycle the fire on and off.

CERAMIC GLASS

Durable and robust ceramic glass improves radiant performance.

ALUMINIZED STEEL

High temperature aluminized steel firebox delivers efficient warmth, preventing rust and wear.



Please Note: Printed images may vary from actual product. All product information is accurate at time of printing and is subject to change. For more visit valorfireplaces.com



LT2 2700K
SPLITWOOD 1705SWKV2
REFLECTIVE GLASS LINER 2725RGL
1" ADJUSTABLE FINISHING TRIM 2775LFB
HEATSHIFT (not shown)

1 FIRE BEDS

Select a fire bed that suits your decor and personal style. Which fire bed will you enjoy most? See videos of the LT1 and LT2 fireplaces at valorfireplaces.com

LT1 BIRCH



LT1 DRIFTWOOD



LT2 BIRCH



LT2 DRIFTWOOD





DESIGN YOUR FIREPLACE ON
VALOR'S DESIGN CENTER:



LT1 SPLITWOOD



LT2 MURANO GLASS (ALSO AVAILABLE ON LT1)



LT2 SPLITWOOD



ROCK AND SHALE (ALSO AVAILABLE ON LT1)





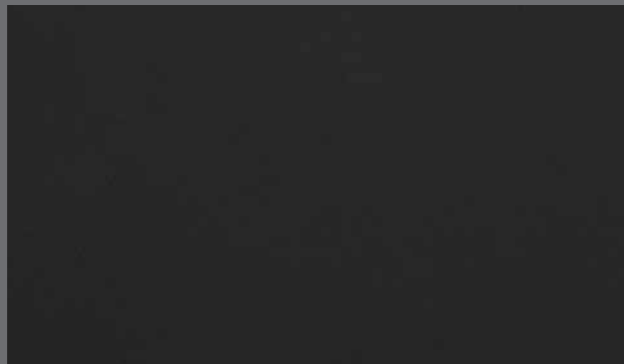
LT1 2500K
SPLITWOOD 1505SWKV2
FLUTED BLACK LINER 2515FBL
1" ADJUSTABLE FINISHING TRIM 2575LFB
HEATSHIFT (not shown)

PLAIN BLACK

2 LINERS

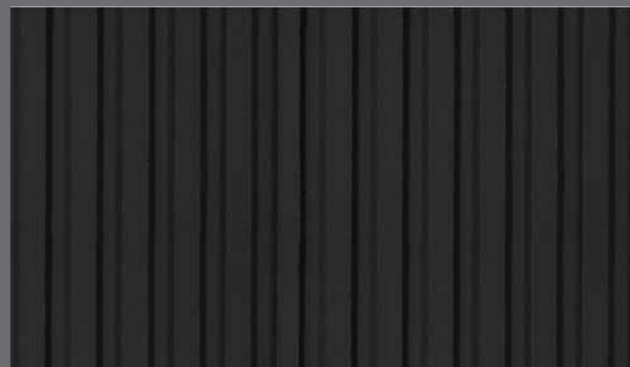
Selecting a liner is an important choice, particularly in the LT1 and LT2 fireplaces where the liners feature prominently.

Visit a Valor dealer to see a sample in person or visit valorfireplaces.com

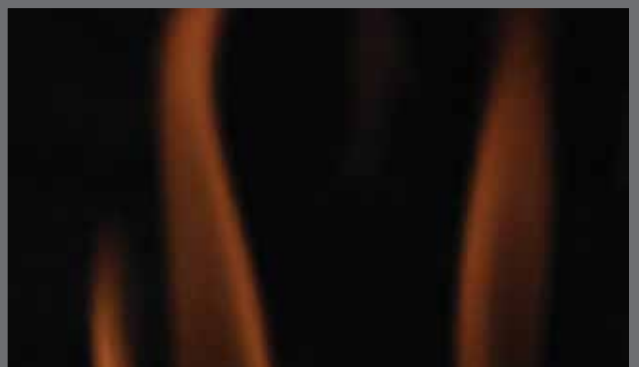




FLUTED BLACK



REFLECTIVE GLASS



CLEAN INSTALL KIT 2530CIK (shown) or 2730CIK



LIGHT ON



Enjoy a bright fireplace all year long with the LTs' overhead lighting feature—with the fire on or off. Looks great in the summer!

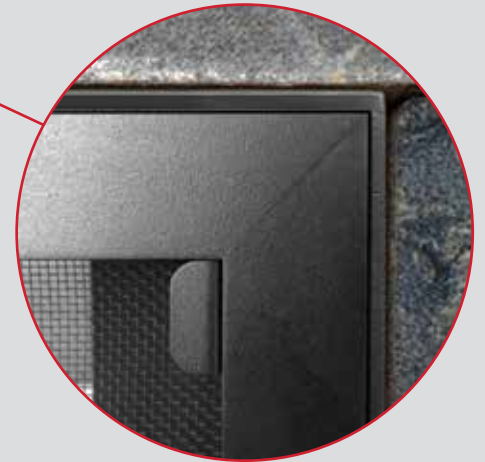
1" ADJUSTABLE FINISHING TRIM

2575LFB (shown) or 2775LFB



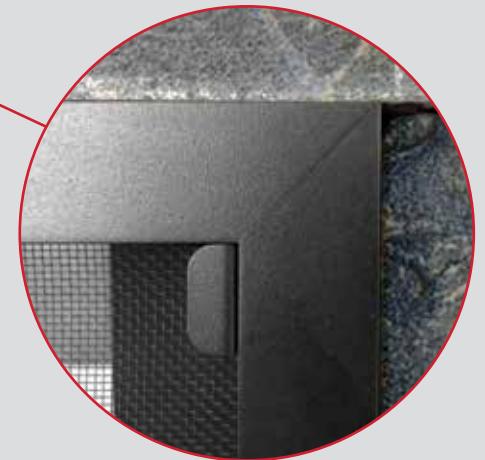
LIGHT OFF

Finish right up to the edge.



Sits flush with wall and fireplace screen.

Covers rough wall edges.



Fireplace screen frame sits proud of wall.

3 TRIM The LT1 and LT2 offer two types of framing: the Clean Install kit and the 1" Adjustable Trim. Ask your Valor dealer which trim will work best with your renovation.

CLEAN INSTALL KIT

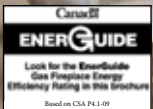
The Clean Install kits lets you to tile or finish right up to a clean edge of the fireplace. The fireplace screen frame sits inside the edge and flush with the CIK and wall.

1" ADJUSTABLE TRIM

This trim covers 1" of your wall finish and is adjustable to accommodate various depths of finishes. The fireplace screen frame sits proud of the trim and wall.



LT2
 SPLITWOOD 1705SWKV2
 REFLECTIVE GLASS LINER 2715RGL
 1" ADJUSTABLE FINISHING TRIM 2775LFB
 HEATSHIFT (not shown)



ENERGY EFFICIENCY

Find out more about
 Valor's energy efficiency



At Valor we use recognized Canadian and US government testing methods to determine our energy efficiencies, and ensure our products perform in your home as rated. All our fireplaces are available as natural gas or propane.

MODEL	FUEL	LOW	HIGH	MAX OUTPUT	ENERGUIDE
LT1	NG	20000	34000	24446	70%
	LP				
LT2	NG	22000	39000	28025	68%
	LP	20000			

* EnerGuide ratings and outputs have been determined without a fan/blower, using the CSA P.4.1-15 test method. Certified to ANSI Z21.88/CSA 2.33 Vented Gas Fireplace Heater American National Standard. CGA-2.17-91 Gas Fired Appliances for use at High Altitudes.



HEATSHIFT

Find out more online:



IMPROVES PERFORMANCE

Harnessing convective warmth, up to 60% of fireplace heat rises and flows through HeatShift and back into the room. The remaining radiant heat emanates from the fireplace, keeping you warm.

KEEPS WALL COOLER

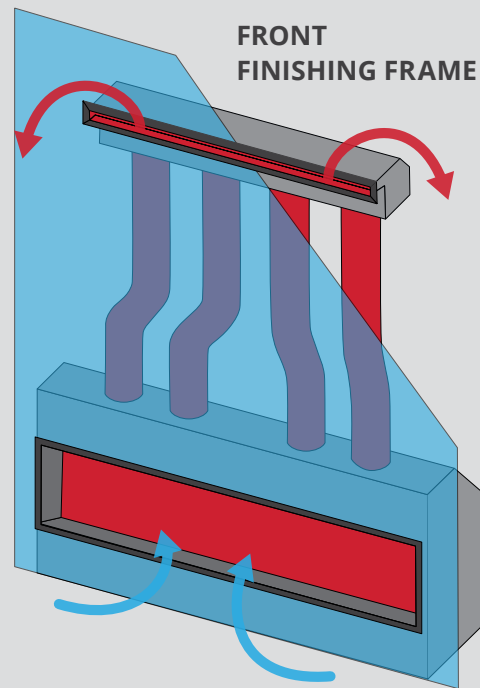
Pioneered by Valor, our unique HeatShift System naturally circulates up to 125 cubic feet of convective heat per minute through hidden ducts and back into the room—avoiding surface areas above the fireplace.

HEATSHIFT IS REQUIRED WITH THE LT1 AND LT2

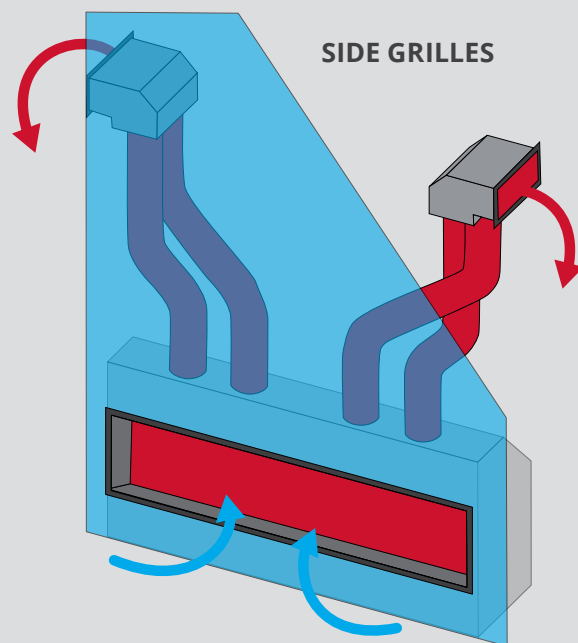
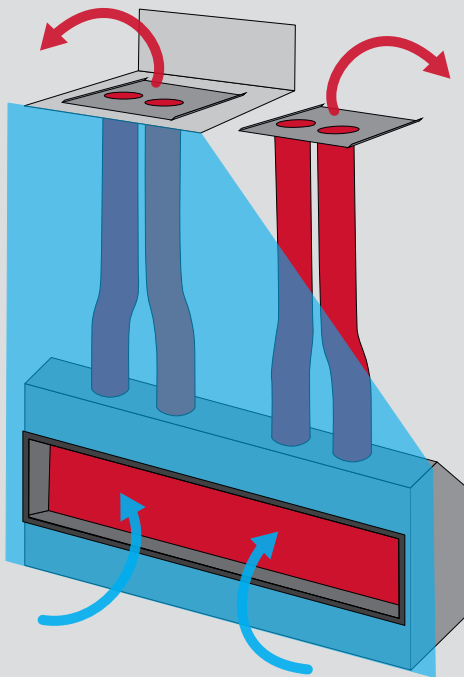
Choose from three HeatShift options, including front, side and top (hidden) outlet positions:

- The front finishing frame comes in three lengths: 30", 38" and 48".
- The side grilles offers a redirect of the heat to different areas of the room.
- The valance is discretely hidden near the top of the wall—architectural in style.

Whatever your choice, we have a HeatShift solution for you.



TOP HIDDEN VALANCE



NO ELECTRICITY REQUIRED

Heatshift circulates heat naturally using gravity and Valor product ingenuity—no need for a fan or electricity. No power—not a problem for a Valor.

DESIGN FLEXIBILITY

Run standard finishing materials right up to the fireplace surround, including drywall, wood, tile and stone. Install mantels lower than usual at a one-to-one ratio of depth to height from the fireplace surround.

CONSTRUCTION MADE EASY

Unlike many competing products, Valor fully ducts HeatShift for clean, safe air quality. HeatShift is built and designed in North America for North American homes, meeting building code requirements.

Child Proof
your remote for
safety and ease.

Accurately knows the current
temperature of your room.

Set the timer to
turn the fireplace off
up to 9 hours ahead.

Set the temperature for
specific times of the day.

Program your fireplace
to turn on and off
when you want at the
temperature you want.



The Remote Battery and Wall Switch
kit comes standard with all Valor 10
remotes. The kit lets you control your
fireplace and gives you easy wall access
to your fireplace's receiver batteries.



VALOR 10: REMOTE

Standard with the LT1 and LT2, the Valor 10 interactive remote control has up-to-the-moment information on the state of your fireplace—such as temperature and other customizable settings. To find out more, go to valorfireplaces.com/remote

Learn more
about our remotes:





TAKE COMPLETE CONTROL

Increase or decrease flame height to find the perfect ambiance. Use the color wheel to find the ideal temperature setting.



PROGRAM ON THE GO

Program days, times and temperature settings to match your lifestyle. Set a countdown timer so your fireplace shuts off automatically.

CONTROL LIGHTING

You can adjust the fireplace lighting too.

SAVE ON ENERGY COSTS

Save energy while enjoying a changing, realistic flame with ECO mode. Choose time and the percentage of energy saved is shown in the circle/leaf.



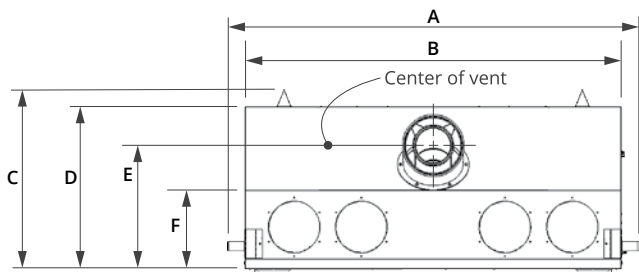
VALOR 10: APP

The Valor 10 remote pairs with the Valor 10 App so you can control your fireplace with your smartphone. To find out more, go to valorfireplaces.com/valor10



DIMENSIONS

ALWAYS REFER TO THE INSTALLATION MANUAL FOR COMPLETE INSTRUCTIONS.



TOP VIEW

	LT1	LT2
A	45 ¹¹ / ₁₆ "	57 ³ / ₄ "
B	42"	52"
C	19 ⁷ / ₈ "	20 ⁷ / ₁₆ "
D	18"	18 ¹ / ₂ "
E	15--1/8"	15--5/8"
F	8 ³ / ₄ "	9 ³ / ₁₆ "

LT1



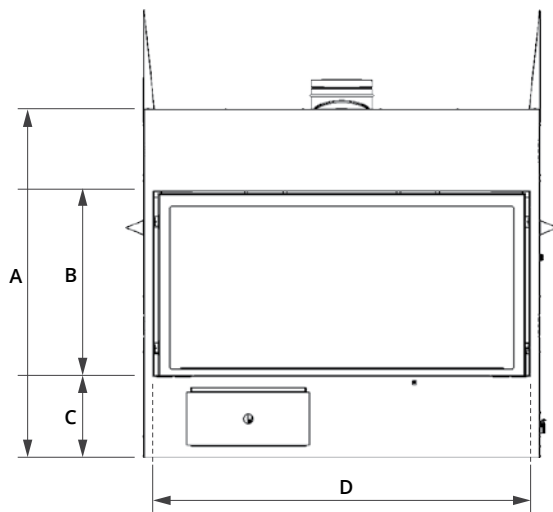
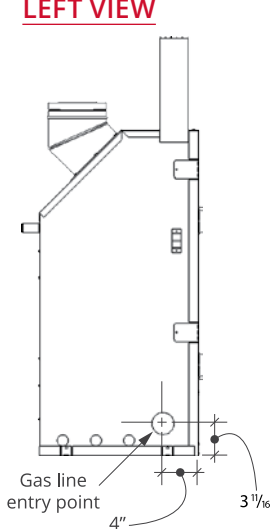
OWNER

INSTALLER



LT2

LEFT VIEW



FRONT VIEW

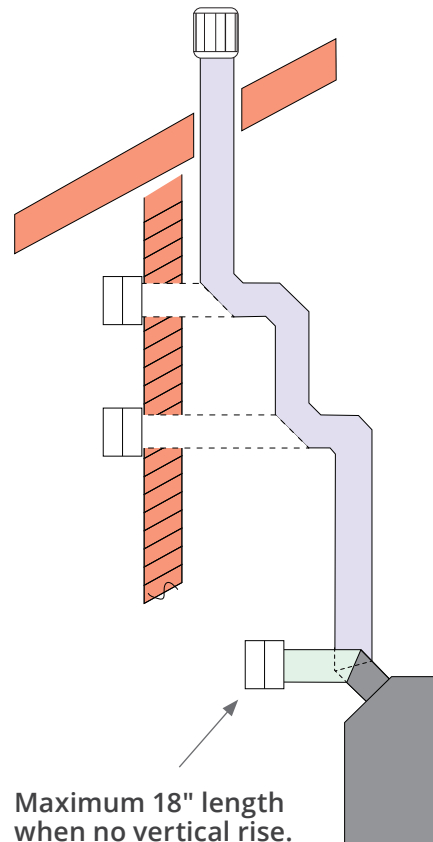
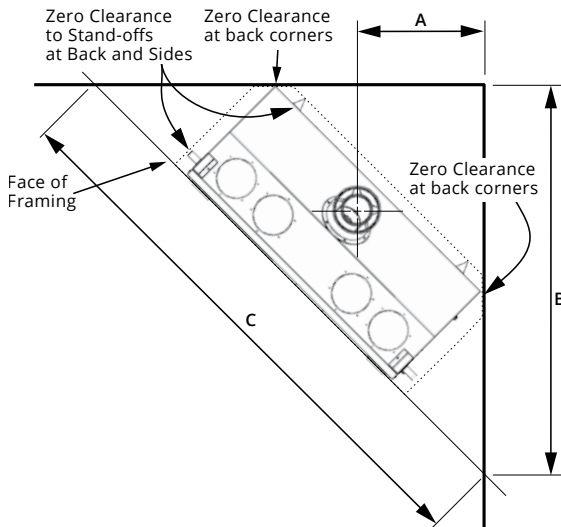
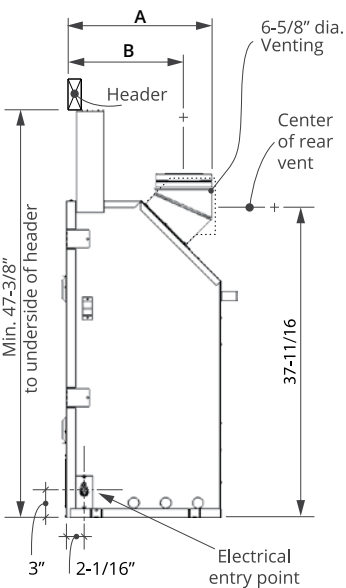
	LT1	LT2
A	36 ¹⁵ / ₁₆ "	36 ¹⁵ / ₁₆ "
B	19 ¹ / ₂ "	19 ⁵ / ₈ "
C	8 ¹ / ₁₆ "	8 ¹ / ₁₆ "
D	39 ¹³ / ₁₆ "	49 ¹³ / ₁₆ "

RIGHT VIEW

	LT1	LT2
A	18 ¹ / ₂ "	18 ⁵ / ₁₆ "
B	15 ¹ / ₈ "	15 ⁵ / ₈ "

CORNER VIEW

	LT1	LT2
A	16 ¹⁵ / ₁₆ "	20 ⁷ / ₁₆ "
B	55 ¹ / ₈ "	62 ¹⁵ / ₁₆ "
C	78"	89"



Maximum 18" length when no vertical rise.

OPTIONS

DIRECT VENT ENGINE

	<u>LT1</u>	<u>LT2</u>
Natural Gas	2500KN	2700KN
Propane	2500KP	2700KP

1 FIRE BEDS

Birch	1505BLKV2	1705BLKV2
Splitwood	1505SWKV2	1705SWKV2
Driftwood	1505DWKV2	1705DWKV2
Rock and Shale	1514RSS	1714RSS
Murano Glass	1500DGM	1700DGM

2 LINERS

Plain Black	2560PBL	2760PBL
Fluted Black	2515FBL	2715FBL
Reflective Glass	2525RGL	2725RGL

3 TRIM

Clean Install Kit	2530CIK	2730CIK
1" Adjustable Finishing trim	2575LFB	2775LFB

HEATSHIFT (required)

Included with fireplace	LDK6	✓
Choose from options below:		
48" Plenum + optional white Finishing Frame	LDK1 + LDK2	✓
38" Plenum + optional white Finishing Frame	LDK4 + LDK5	✓
30" Plenum + optional white Finishing Frame	LDK9 + LDK10	✓
14" Plenum (2), including white Grilles	LDK3	✓
Top hidden valance	LDK7	✓

OPTIONAL

WiFi kit	GV60WIFI	✓
Outdoor Conversion Kit	GV60CKO	✓
Colinear Adapter	1156CLA	✓
Remote Blower (LDK1 and LDK4 only)	1270RBK	✓

WARNING

This product can expose you to chemicals including Benzene, which is known to the State of California to cause cancer and birth defects or other reproductive harm.

For more information go to www.P65Warnings.ca.gov

Designed and manufactured by Miles Industries Ltd. 2024
Copyright Miles Industries Ltd. 2024



valorfireplaces.com



LT1
SPLITWOOD 1505SWKV2
FLUTED BLACK LINER 2515FBL
1" ADJUSTABLE FINISHING TRIM 2575LFB
HEATSHIFT* LDK4 + LDK5

BRLT1<224E FEB

valor
Radiant
Gas Fireplaces