

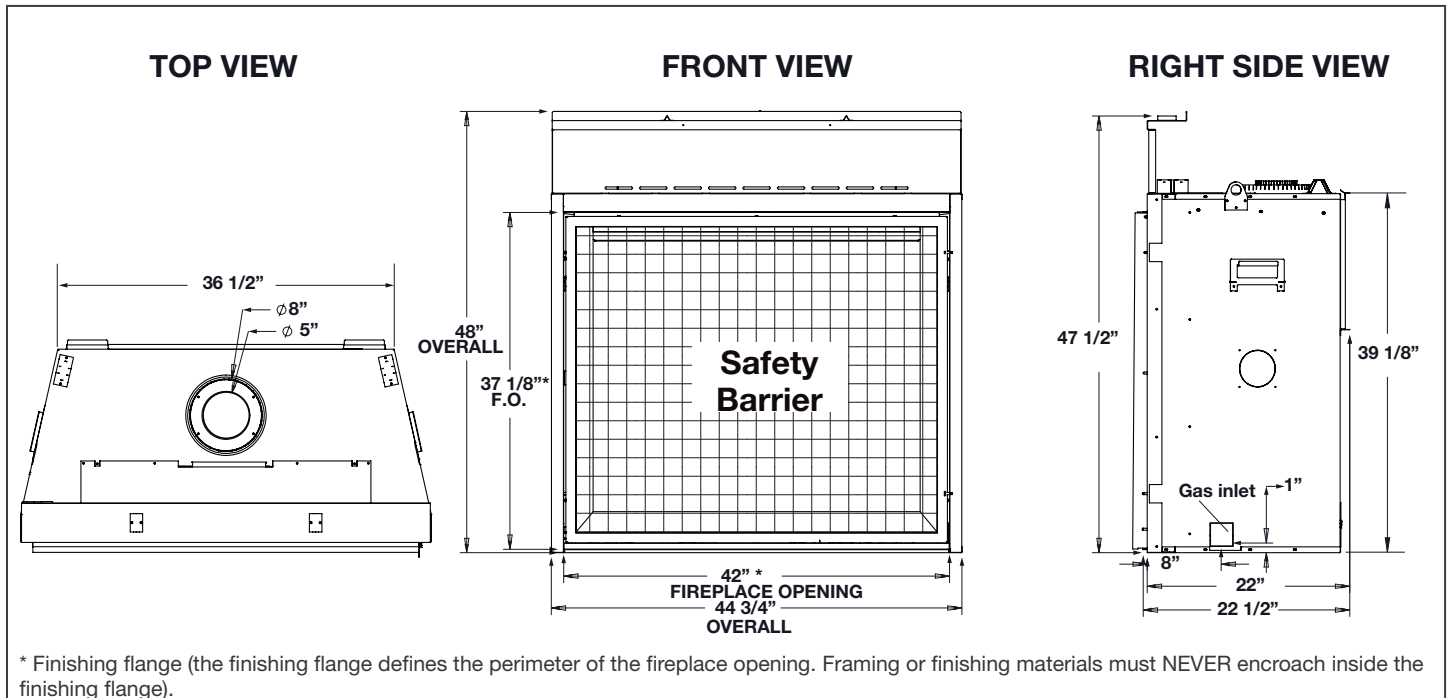
ELEVATION™ X 42 DIRECT VENT GAS FIREPLACE



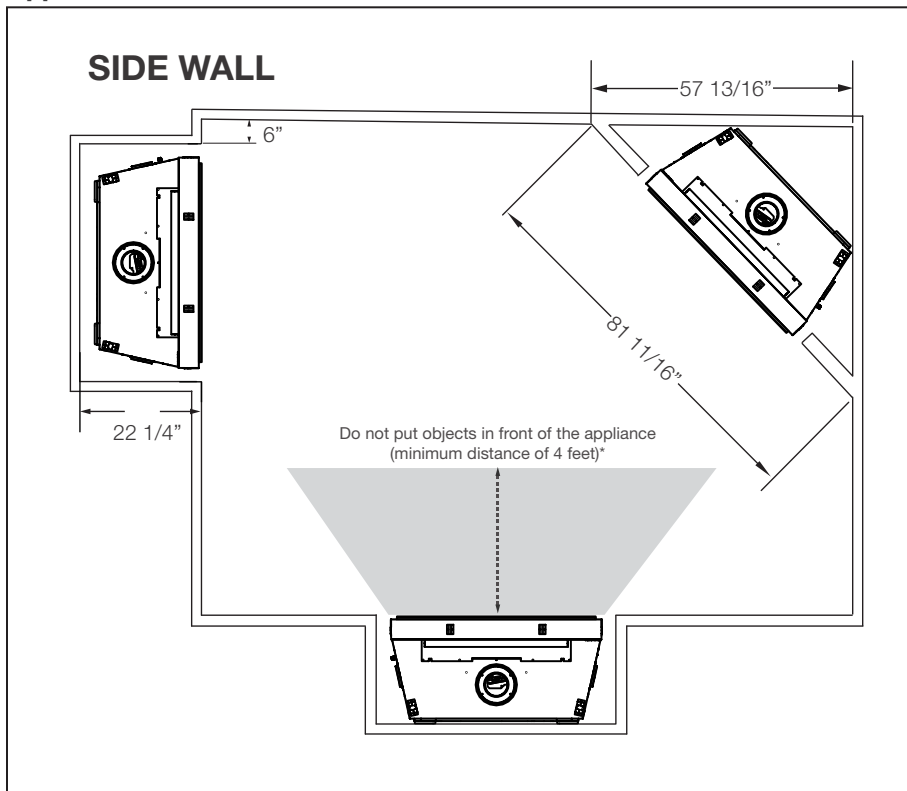
Specifications

Model	BTU	Width		Height		Depth		Glass Size
		Actual	Framing	Actual	Framing	Actual	Framing	
EX42NTEL	45,000	44 3/4"	45 3/4"	47 1/2"	48 1/4"	22"	22 1/4"	31" x 38 1/4"
EX42PTEL	39,000							

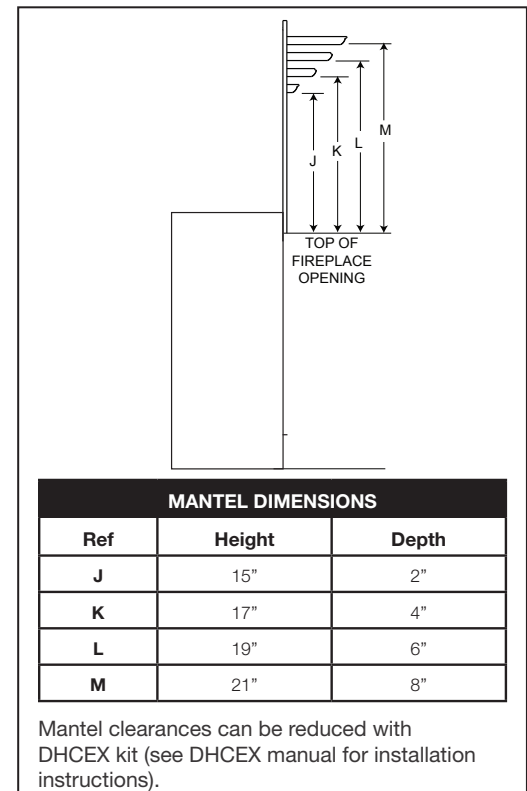
Dimensions



Appliance Location



Combustible Mantel Clearances



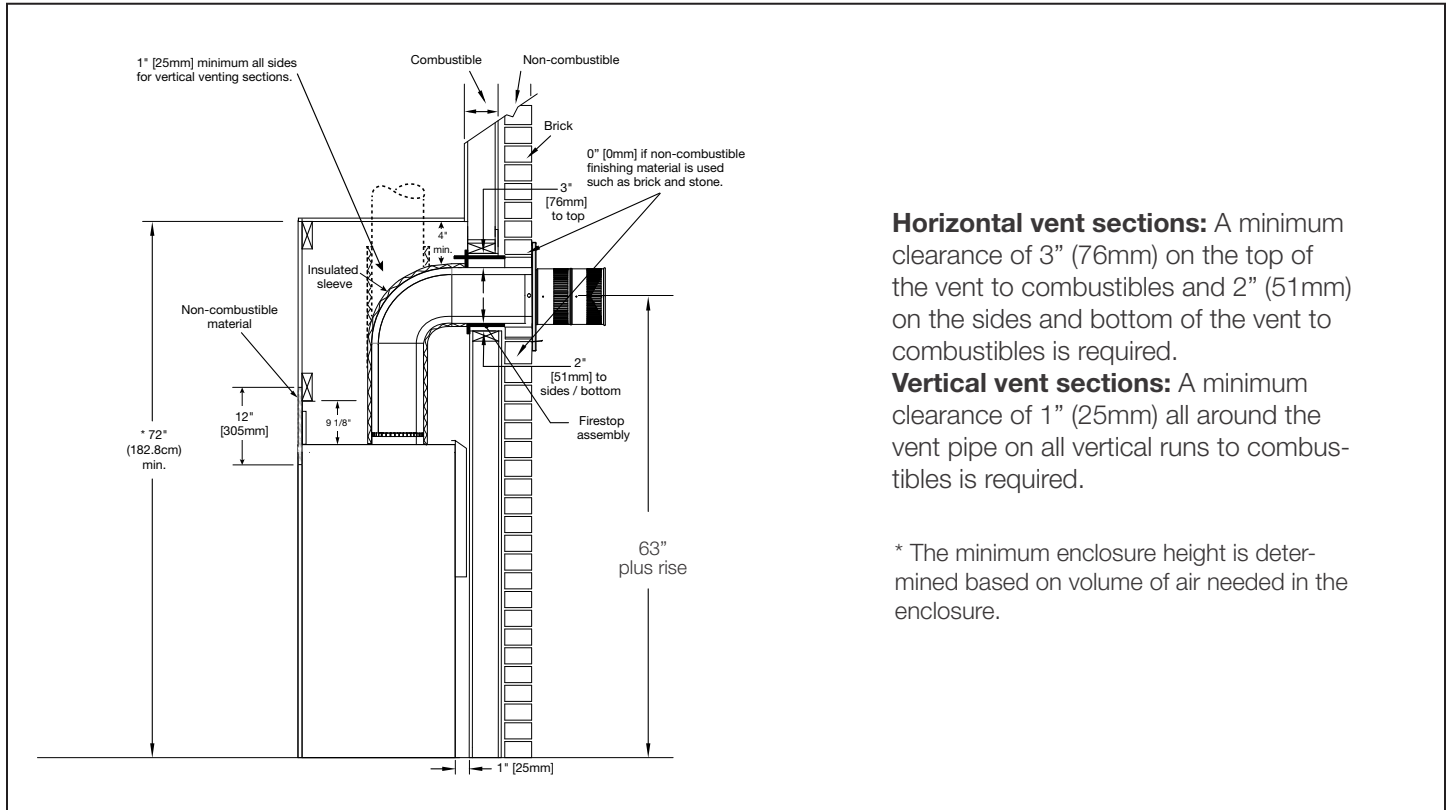
W415-2777 / E-0 / 11.13.24

ELEVATION™ X 42 DIRECT VENT GAS FIREPLACE



Product information provided is not complete and is subject to change without notice. Please consult the installation manual for the most up to date installation information.

Wall Penetration



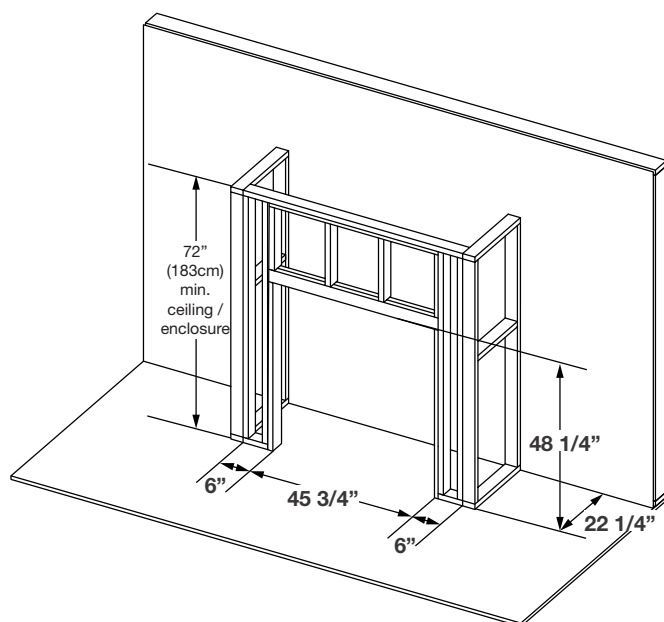
Horizontal vent sections: A minimum clearance of 3" (76mm) on the top of the vent to combustibles and 2" (51mm) on the sides and bottom of the vent to combustibles is required.

Vertical vent sections: A minimum clearance of 1" (25mm) all around the vent pipe on all vertical runs to combustibles is required.

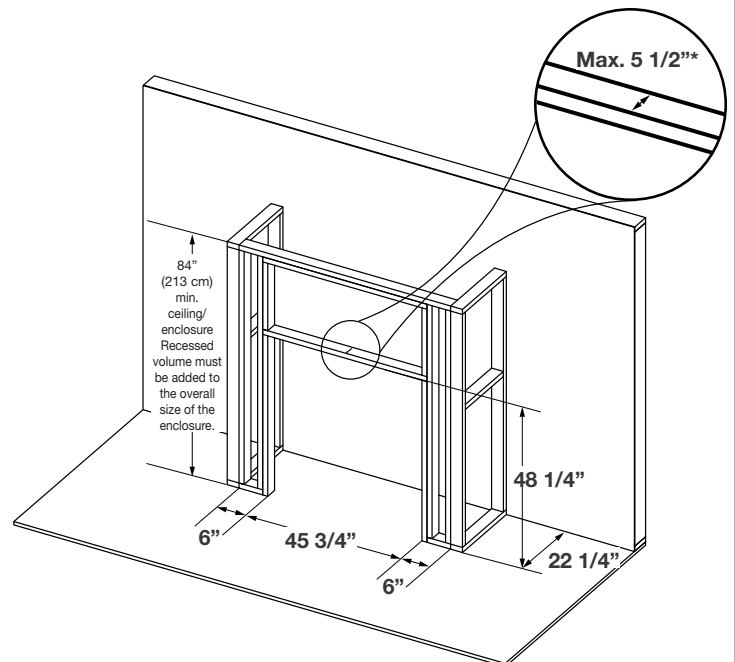
* The minimum enclosure height is determined based on volume of air needed in the enclosure.

Framing

Flush Finish Framing



Recessed Finish Framing



* Recess frame can be "backed" with 3/4" ply to support TV mounting hardware.

W415-2777 / E-0 / 11.13.24

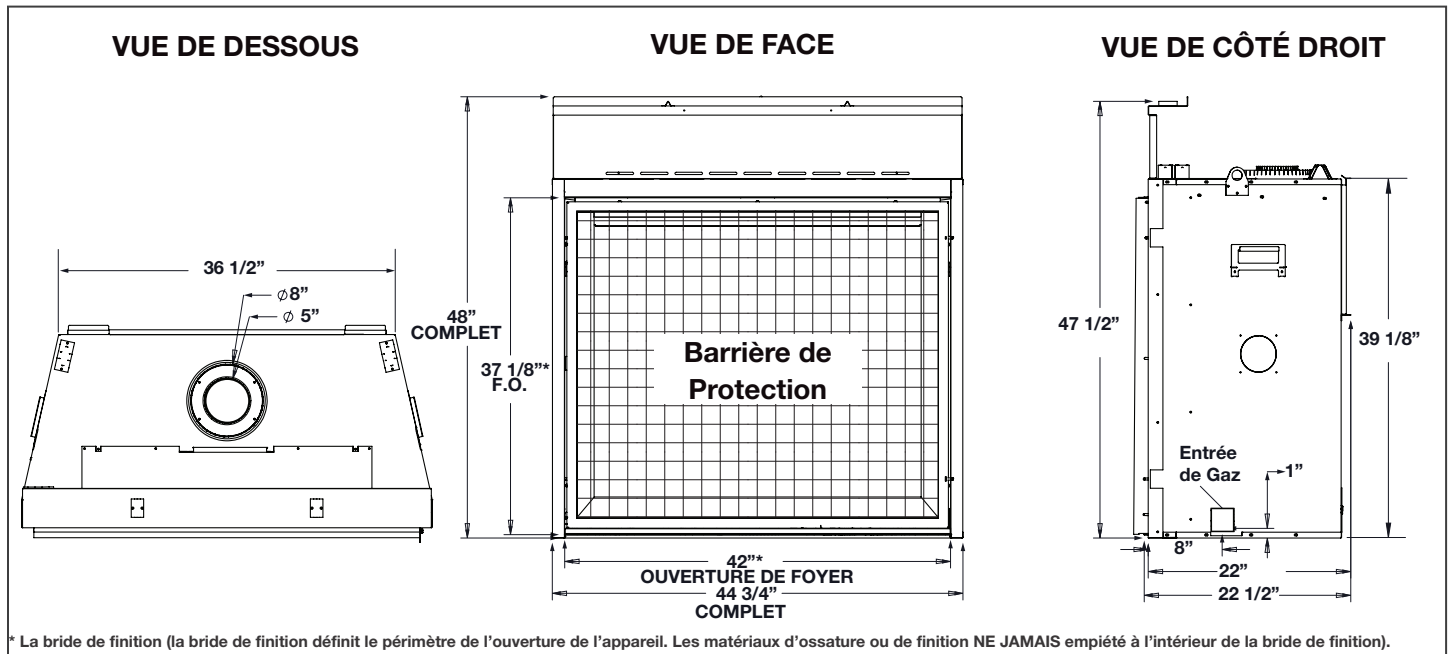
FOYER À GAZ VENTILÉ DIRECTE ÉLÉVATION^{MD} X 42



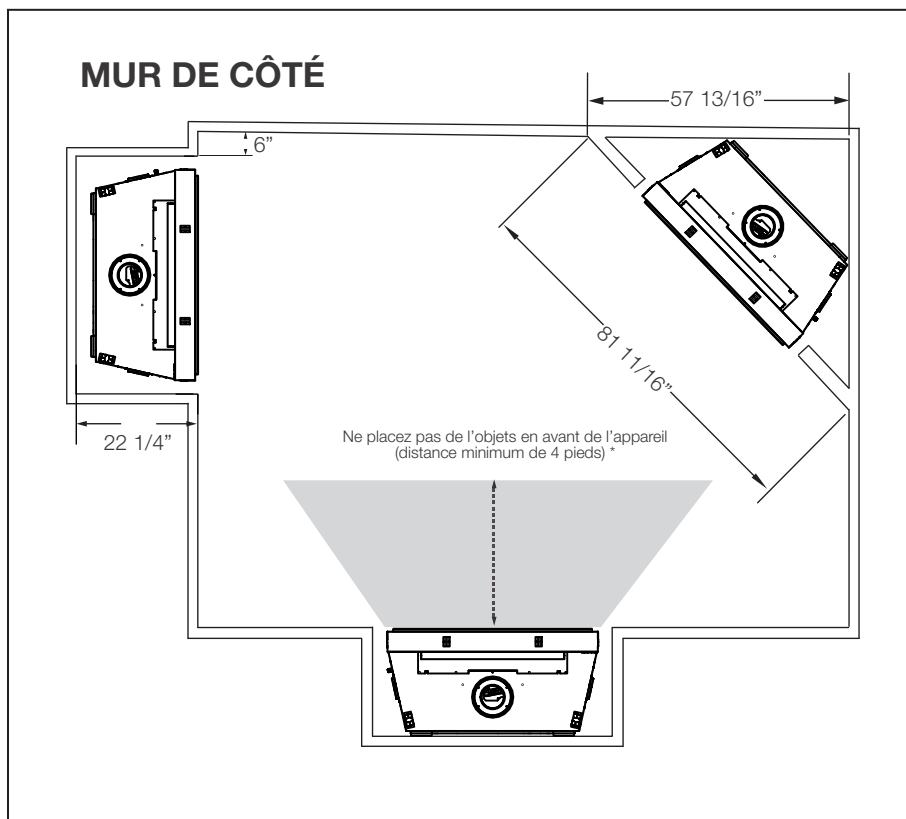
Spécifications

Modèle	BTU	Largeur		Hauteur		Profondeur		Taille de Verre
		Réel	Ossature	Réel	Ossature	Réel	Ossature	
EX42NTEL	45 000	44 3/4"	45 3/4"	47 1/2"	48 1/4"	22"	22 1/4"	31" x 38 1/4"
EX42PTEL	39 000							

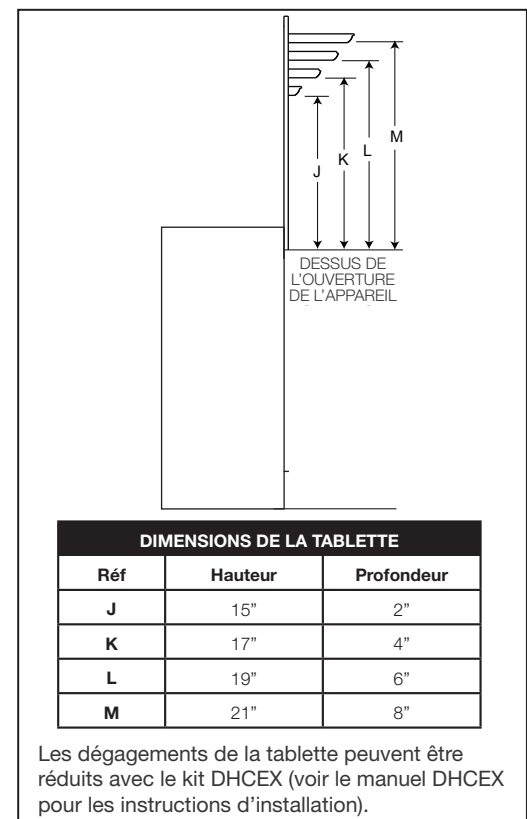
Dimensions



Emplacement de l'Appareil



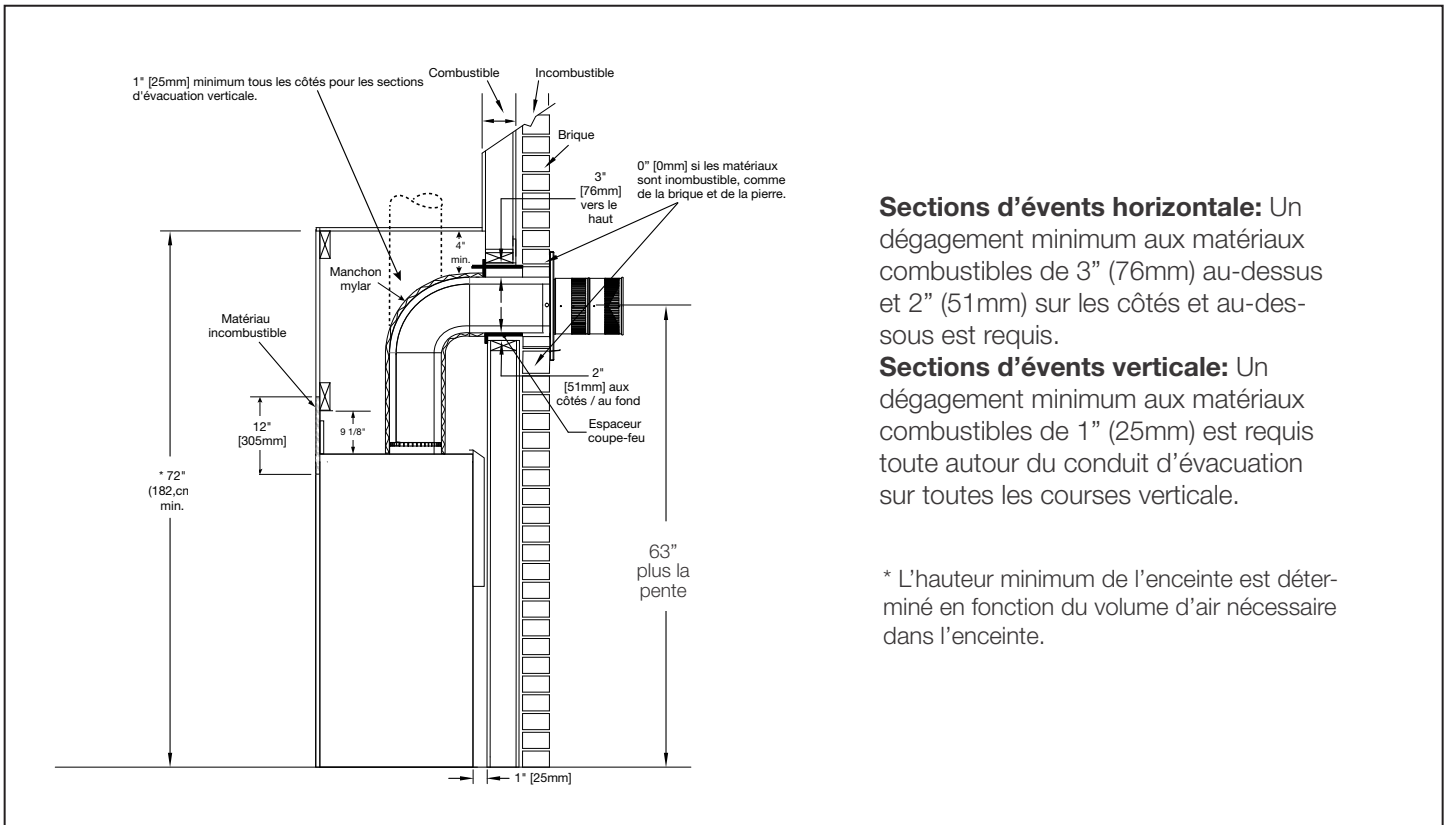
Dégagements Combustible de la Tablette



W415-2777 / E-0 / 11.13.24

L'information du produit fourni n'est pas complet et est sujet de changer sans préavis. Consultez le manuel d'installation pour information d'installation actuel.

Pénétration de Mur



Ossature Fini - Affleuré et Encastré

